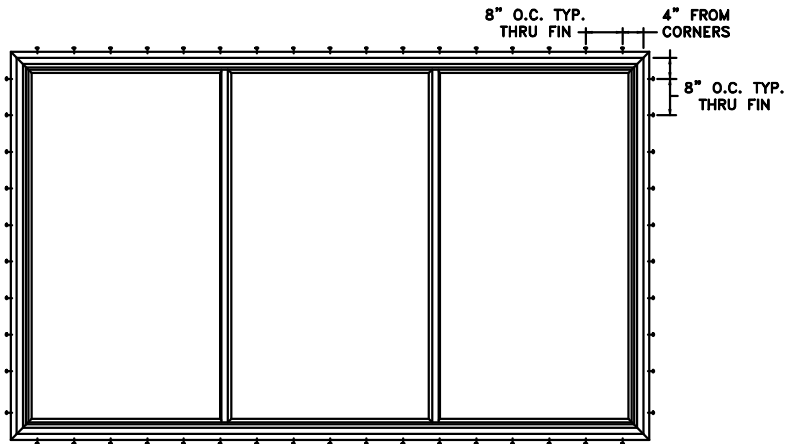
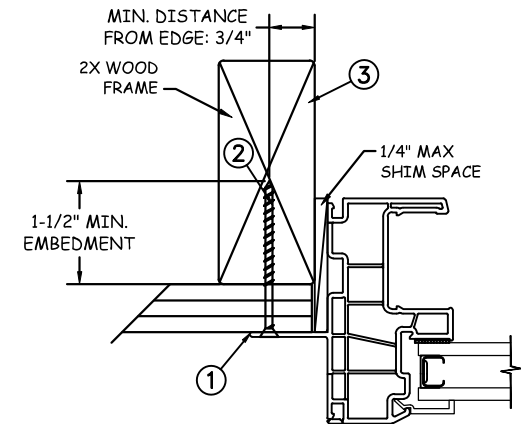
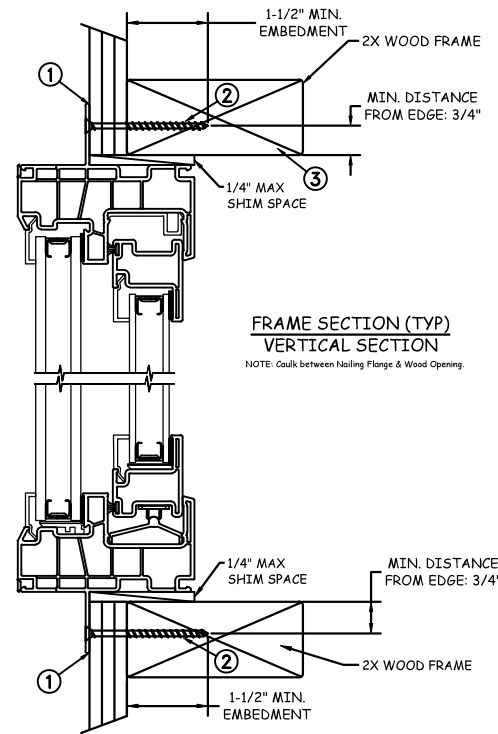


NAIL FIN INSTALLATION



TYPICAL ELEVATION WITH FASTENER SPACING



JAMB SECTION (TYP)
HORIZONTAL SECTION

NOTE: Caulk between Nailing Flange & Wood Opening.

Max Frame	DP RATING	IMPACT
96" x 60"	+50/-55	NO

Installation Notes:

1. Seal flange/frame to substrate.
2. Use #8 PH or greater fastener through the nail fin with sufficient length to penetrate a minimum of 1 1/2" into the wood framing. For 2X wood frame substrate (min. S.G. = 0.42).
3. Host structure (wood buck, masonry, steel) to be designed and anchored to properly transfer all loads to the structure. The host structure is the responsibility of the architect or engineer of record for the project of installation.

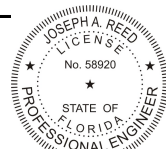
General Notes:

1. The product shown herein is designed, tested and manufactured to comply with the wind load criteria of the adopted International Building Code(IBC), the International Residential Code(IRC), the Florida Building Code (FBC) and the industry requirement for the stated conditions.
2. All glazing shall conform to ASTM E1300.
3. At minimum, panel glazing shall be 3.0mm annealed - 13.39mm airspace - 3.0mm annealed. Fixed Lite shall be at minimum, 4.5mm annealed - 12.57mm airspace - 4.5mm annealed.
4. Use structural or composite shims where required.

This schedule addresses only the fasteners required to anchor the window to achieve the rated design pressure up to the size limitations noted. It is not intended as a guide to the installation process and does not address the sealing consideration that may arise in different wall conditions. For the complete installation procedure, see the instructions packaged with the window or go to www.jeld-wen.com.

DISCLAIMER:

This drawing and its contents are confidential and are not to be reproduced or copied in whole or in part or used or disclosed to others except as authorized by JELD-WEN Inc.



Joseph A. Reed

2021.02.04 11:15:22 -05'00'

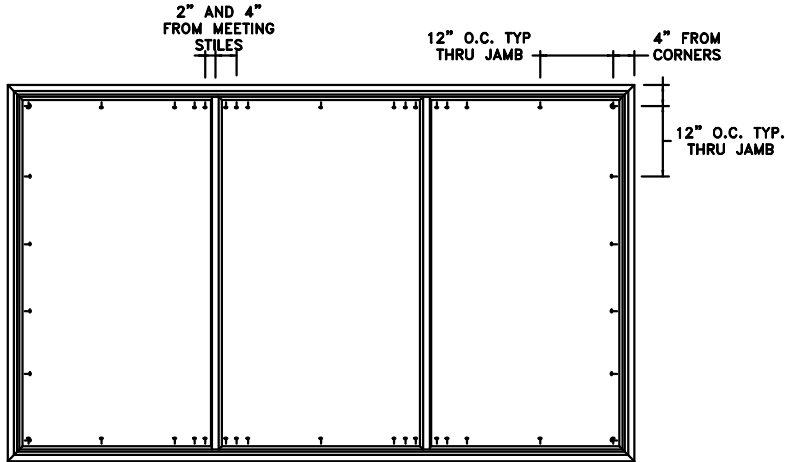
JOSEPH A. REED, P.E.
Florida FE 58920, REG. No. 33474
National Certified Testing Laboratories
5 Leigh Drive, York, PA. 17406
(717) 846-1200

PROJECT ENGINEER: --	DATE: 04/06/18
DRAWN BY: A. MCMILLAN	SCALE: NTS
CHECKED BY: J. GOOSSEN	TITLE: Premium Vinyl Horizontal Slider XOX Window
APPROVED BY: J. GOOSSEN	
PART/PROJECT No.: D014563	
IDENTIFIER No. SJW2014-132	PLANT NAME AND LOCATION: ----

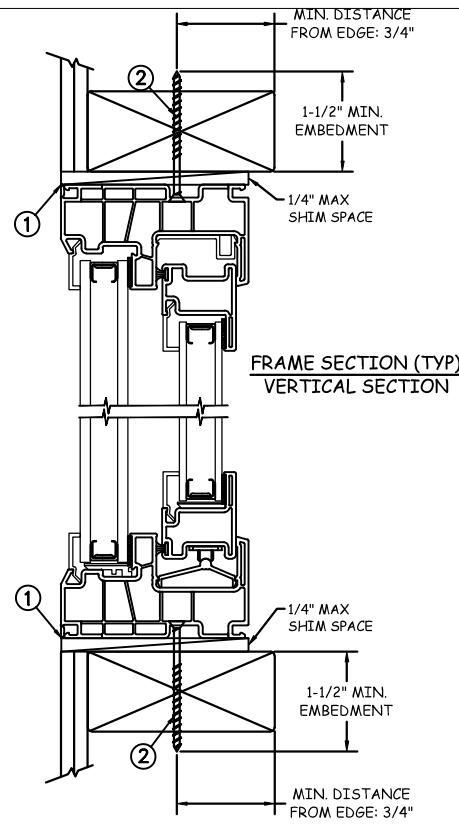
JELD-WEN

3737 Lakeport Blvd
Klamath Falls, OR, 97601
Phone: (800) 535-3936

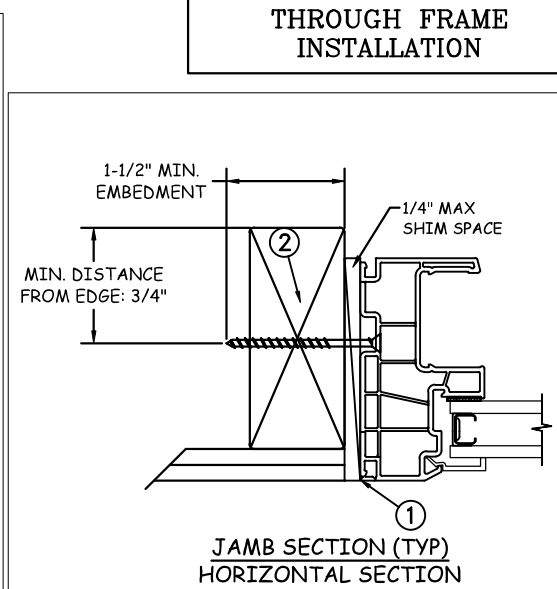
CAD DWG. No.: PremVinylH5XOX Cert	REV: A	SHEET 1 OF 4
--------------------------------------	-----------	-----------------



TYPICAL ELEVATION WITH FASTENER SPACING



FRAME SECTION (TYP)
VERTICAL SECTION



THROUGH FRAME
INSTALLATION

JAMB SECTION (TYP)
HORIZONTAL SECTION

Max Frame	DP RATING	IMPACT
96" x 60"	+50/-55	NO

Installation Notes:

1. Seal flange/frame to substrate.
2. Use #8 PH or greater fastener though the nail fin with sufficient length to penetrate a minimum of 1 1/2" into the wood framing. For 2X wood frame substrate (min. S.G. = 0.42).
3. Host structure (wood buck, masonry, steel) to be designed and anchored to properly transfer all loads to the structure. The host structure is the responsibility of the architect or engineer of record for the project of installation.

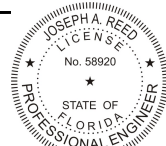
General Notes:

1. The product shown herein is designed, tested and manufactured to comply with the wind load criteria of the adopted International Building Code(IBC), the International Residential Code(IRC), the Florida Building Code (FBC) and the industry requirement for the stated conditions.
2. All glazing shall conform to ASTM E1300.
3. At minimum, panel glazing shall be 3.0mm annealed - 12.62mm airspace - 3.0mm annealed. Fixed Lite shall be at minimum, 5.0mm annealed - 11.94mm airspace - 5.0mm annealed.
4. Use structural or composite shims where required.

This schedule addresses only the fasteners required to anchor the window to achieve the rated design pressure up to the size limitations noted. It is not intended as a guide to the installation process and does not address the sealing consideration that may arise in different wall conditions. For the complete installation procedure, see the instructions packaged with the window or go to www.jeld-wen.com.

DISCLAIMER:

This drawing and its contents are confidential and are not to be reproduced or copied in whole or in part or used or disclosed to others except as authorized by JELD-WEN Inc.

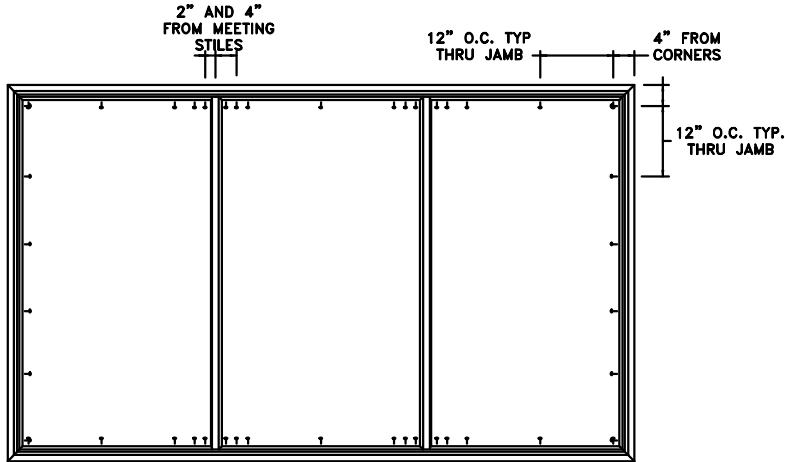


Joseph A. Reed

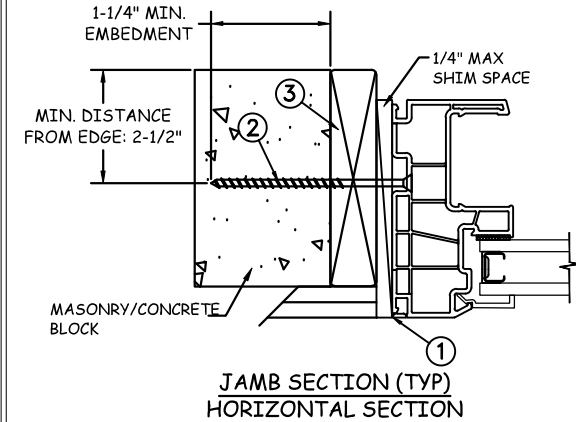
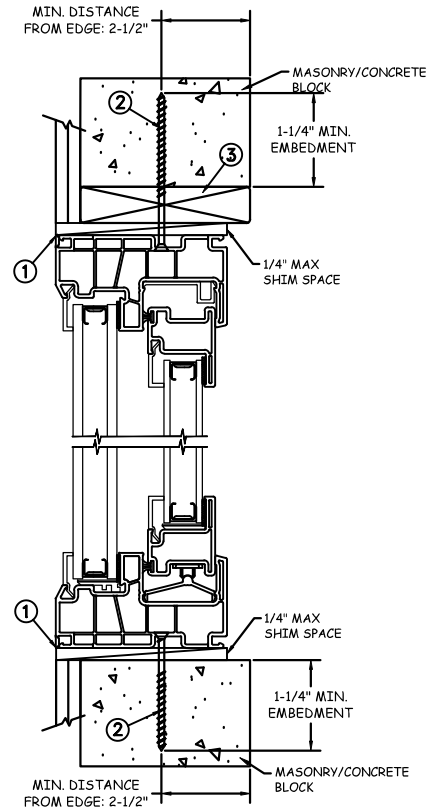
2021.02.04 11:15:22 -05'00'
JOSEPH A. REED, P.E.
 Florida PE 58920, REG. No. 33474
 National Certified Testing Laboratories
 5 Leigh Drive, York, PA. 17408
 (717) 846-1200

PROJECT ENGINEER: --	DATE: 04/06/18	JELD-WEN		3737 Lakeport Blvd	
DRAWN BY: A. MCMILLAN	SCALE: NTS			Klamath Falls, OR, 97601	
CHECKED BY: J. GOOSSEN	TITLE: Premium Vinyl Horizontal Slider XOX Window				
APPROVED BY: J. GOOSSEN	PART/PROJECT No.: D014563				
IDENTIFIER No. SJW2014-132	PLANT NAME AND LOCATION: ----	CAD DWG. No.: PremVinylHLSXOX Cert	REV: A	SHEET 2 OF 4	

MASONRY INSTALLATION



TYPICAL ELEVATION WITH FASTENER SPACING



Max Frame	DP RATING	IMPACT
96" x 60"	+50/-55	NO

Installation Notes:

1. Seal flange/frame to substrate.
2. Use 3/16" Tapcon or equivalent fasteners through frame with sufficient length to penetrate a minimum of 1 1/4" into concrete or masonry at each location with a 2 1/2" min from edge distance. For concrete (min. = 3000psi) or masonry (min. = 2000psi) (CMU shall conform to ASTM C90).
3. Host structure (wood buck, masonry, steel) to be designed and anchored to properly transfer all loads to the structure. The host structure is the responsibility of the architect or engineer of record for the project of installation.

General Notes:

1. The product shown herein is designed, tested and manufactured to comply with the wind load criteria of the adopted International Building Code(IBC), the International Residential Code(IRC), the Florida Building Code (FBC) and the industry requirement for the stated conditions.
2. All glazing shall conform to ASTM E1300.
3. At minimum, panel glazing shall be 3.0mm annealed - 12.62mm airspace - 3.0mm annealed. Fixed Lite shall be at minimum, 5.0mm annealed - 11.94mm airspace - 5.0mm annealed.
4. Use structural or composite shims where required.

This schedule addresses only the fasteners required to anchor the window to achieve the rated design pressure up to the size limitations noted. It is not intended as a guide to the installation process and does not address the sealing consideration that may arise in different wall conditions. For the complete installation procedure, see the instructions packaged with the window or go to www.jeld-wen.com.

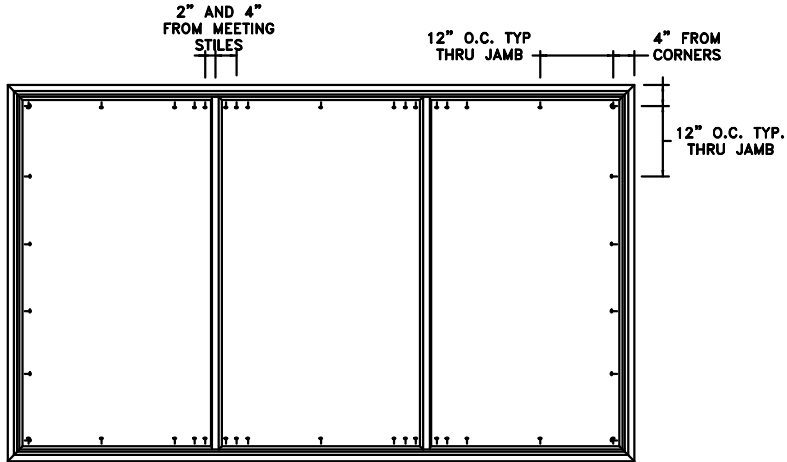
DISCLAIMER:

This drawing and its contents are confidential and are not to be reproduced or copied in whole or in part or used or disclosed to others except as authorized by JELD-WEN Inc.

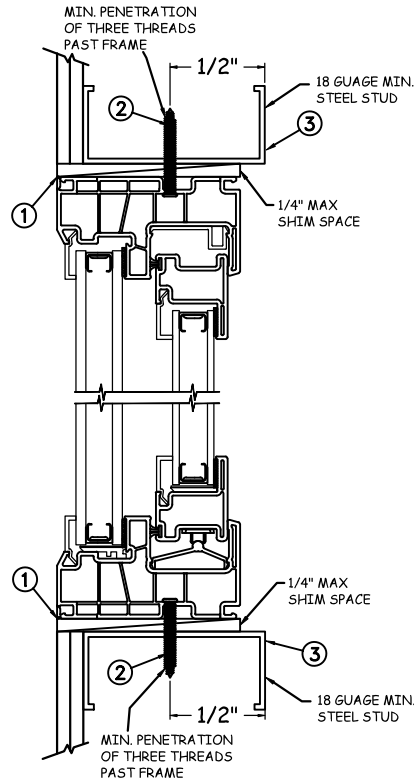


2021.02.04 11:15:22 -05'00'
JOSEPH A. REED, P.E.
 Florida PE 58920, REG. No. 33474
 National Certified Testing Laboratories
 5 Leigh Drive, York, PA. 17408
 (717) 846-1200

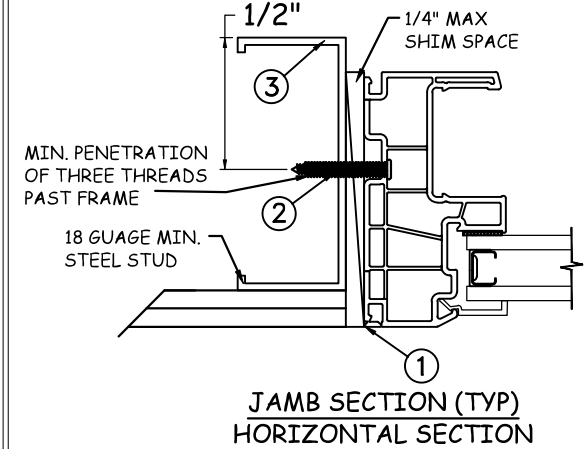
PROJECT ENGINEER: --	DATE: 04/06/18	JELD-WEN	3737 Lakeport Blvd Klamath Falls, OR, 97601 Phone: (800) 535-3936		
DRAWN BY: A. MCMILLAN	SCALE: NTS		Premium Vinyl Horizontal Slider XOX Window		
CHECKED BY: J. GOOSSEN	TITLE:				
APPROVED BY: J. GOOSSEN					
PART/PROJECT No.: D014563		PLANT NAME AND LOCATION: ----	CAD DWG. No.: PremVinylHLSXOCert	REV: A	SHEET 3 OF 4



TYPICAL ELEVATION WITH FASTENER SPACING



STEEL INSTALLATION



Max Frame	DP RATING	IMPACT
96" x 60"	+50/-55	NO

Installation Notes:

1. Seal flange/frame to substrate.
2. For anchoring into metal framing, use #8 TEK Self Tapping screws with sufficient length to achieve a minimum penetration of three threads past the frame thickness. Locate anchors as shown in elevations and installation details. Steel substrate min. 18ga., fy = 33 ksi.
3. Host structure (wood buck, masonry, steel) to be designed and anchored to properly transfer all loads to the structure. The host structure is the responsibility of the architect or engineer of record for the project of installation.

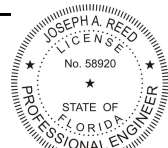
General Notes:

1. The product shown herein is designed, tested and manufactured to comply with the wind load criteria of the adopted International Building Code(IBC), the International Residential Code(IRC), the Florida Building Code (FBC) and the industry requirement for the stated conditions.
2. All glazing shall conform to ASTM E1300.
3. At minimum, panel glazing shall be 3.0mm annealed - 12.62mm airspace - 3.0mm annealed. Fixed Lite shall be at minimum, 5.0mm annealed - 11.94mm airspace - 5.0mm annealed.
4. Use structural or composite shims where required.

This schedule addresses only the fasteners required to anchor the window to achieve the rated design pressure up to the size limitations noted. It is not intended as a guide to the installation process and does not address the sealing consideration that may arise in different wall conditions. For the complete installation procedure, see the instructions packaged with the window or go to www.jeld-wen.com.

DISCLAIMER:

This drawing and its contents are confidential and are not to be reproduced or copied in whole or in part or used or disclosed to others except as authorized by JELD-WEN Inc.



Joseph A. Reed

2021.02.04 11:15:22 -05'00'
JOSEPH A. REED, P.E.
 Florida PE 58920, REG. No. 33474
 National Certified Testing Laboratories
 5 Leigh Drive, York, PA. 17408
 (717) 846-1200

PROJECT ENGINEER: --	DATE: 04/06/18	JELD-WEN		3737 Lakeport Blvd	
DRAWN BY: A. MCMILLAN	SCALE: NTS			Klamath Falls, OR, 97601	
CHECKED BY: J. GOOSSEN	TITLE: Premium Vinyl Horizontal Slider XOX Window				
APPROVED BY: J. GOOSSEN	PART/PROJECT No.:				
IDENTIFIER No. SJW2014-132	PLANT NAME AND LOCATION: ----	CAD DWG. No.:	REV:	SHEET	
		PremVinylH5XOX Cert	A	4 OF 4	